

**VELUX A/S · W - Product Specifications**

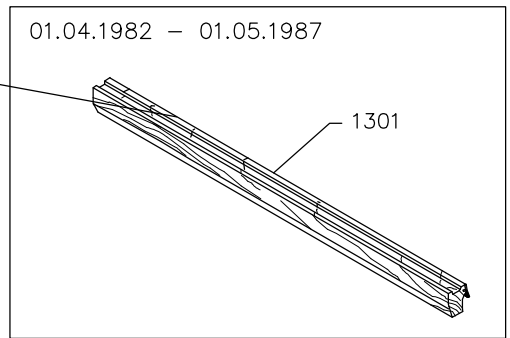
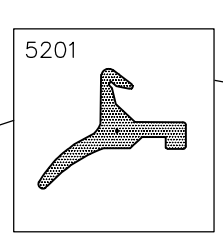
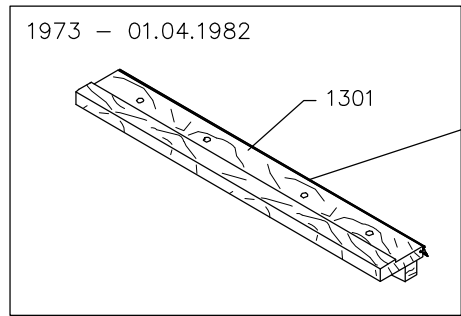
Industrivej 19C, DK-8752 Østbirk



Drawn up by FO/SAR	Date 20.03.06	Page 1/75
File No. E 115-01	BASIS OF PRODUCTION NO.	
Copy to	Category 21	Commodity No. 900100
		Operation Edition 67/16

**GGL**

GGL-AI, GGL-Cu, GGLF-AI, GGLF-Cu,  
GGLV-AI, GGLV-Cu, GGLT-AI, GGLT-Cu  
GFL-AI, GFL-Cu

List of spare parts



2006	Covering partly complete
60--	Screws/fixation 
62--	Instructions 
65--	Other parts

